

m³

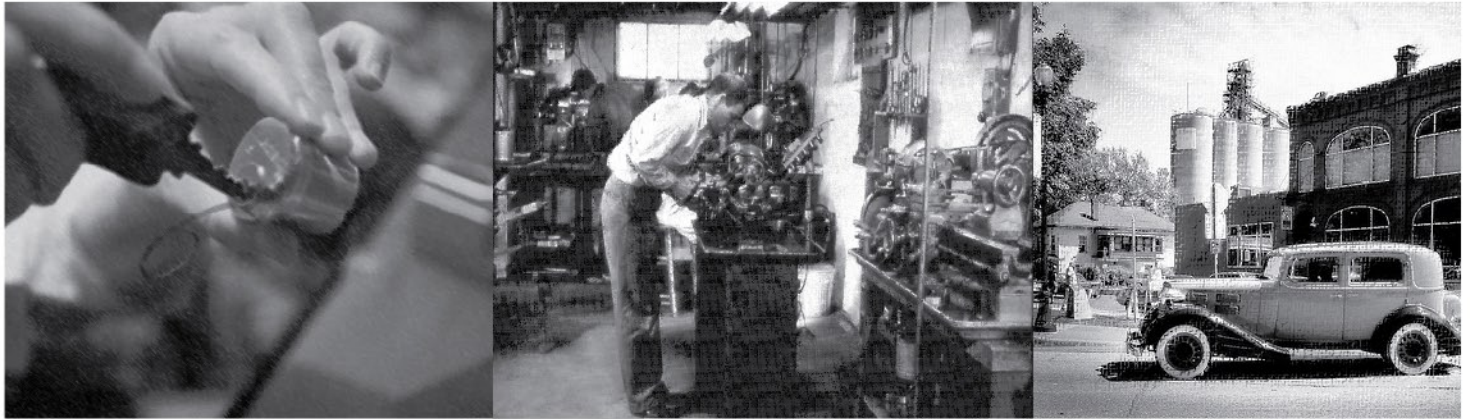


ANSI
Grade 1
Grade 2



美迪高 | 產品總覽
medeco | Product Gallery

medeco[®]
HIGH SECURITY CYLINDER MADE IN USA



美迪高 (Medeco) 於1968年在美國成立，以先進及可靠的技術生產出不同種類的防盜產品，多年來一直深受用家信任，就連美國白宮、國防部都一致採用。

Medeco was founded in the United States in 1968 to produce a variety of security products with advanced and reliable technology. Users have trusted it for many years, and even the US White House, and the Department of Defense are the users of Medeco.

產品特色

- 美國製造
- 防撬、防鑽、防鋸
- 擁有多項國際專利
- 嚴密品質監控



Product Features:

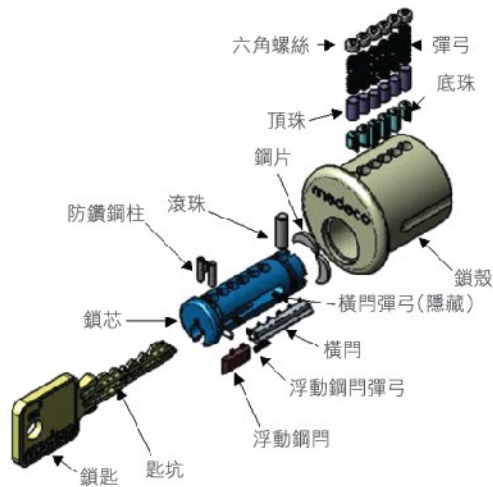
- Made in the USA
- The resistance of prying, anti-drilling & anti-sawing
- International patents
- High-quality control



m³™

每個鎖芯必須擁有高安全性、高技術專利設計和龐大的鎖珠組合，鎖匙才不會被輕易複製。

Each lock cylinder must have a high safety, high-tech patented design and a large combination of lock combinations so that the key will not be copied easily.



- 40,000次迴圈耐久性試驗。
40,000 cycle endurance test.
- 通過強制、鑽孔、鋸切、撬動、拉動與插拔驅動以及耐腐蝕性能測試。
Passed the test of forcing, drilling, sawing, prying, pulling, and plug driving, and corrosion resistance in a salt fog chamber.
- 專利M3浮動鋼柵系統/多角度切割匙系統建基於多角度切割匙系統，並在原有的系統上新增了一組「浮動鋼柵系統」，當中的「橫鋼柵」功能令鎖匙組合增加了6倍，促使Medeco鎖具有超過130億個獨特的鎖珠組合。確保每位用家的鎖匙沒有跟其他人相同。
Because of the multi-angle cutting key system, the key combination is increased by 6 times. Medeco locks feature more than 13 billion unique keying combinations. Thus, it assures that no other house key is the same as yours.
- 每個M3鎖芯都配備獨一無二的配匙卡，卡上用密碼記錄著鎖匙資料，只有原廠軟件才能正確解碼。
Each M3 lock cylinder is equipped with a unique key card. The card records the key data with a password. Only the original software can decode correctly.
- 為保障用戶的安全，配製M3鎖匙時，必須出示配匙密碼卡，並須核對卡上簽名是否正確，才能配製鎖匙。
To protect the security of users, when configuring the M3 key, users must present the unique key card, and also being double checked of their signature on the card.



配匙卡 Keycard

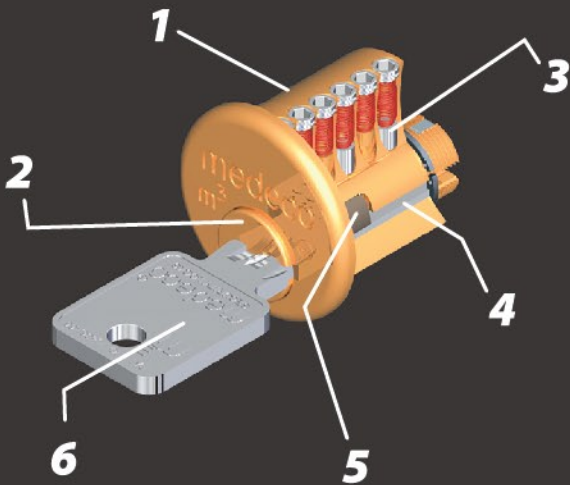
為甚麼要選擇美迪高?

Why should you choose MEDECO?

medeco[®]
HIGH SECURITY CYLINDER MADE IN USA

美迪高的高級防盜鎖膽

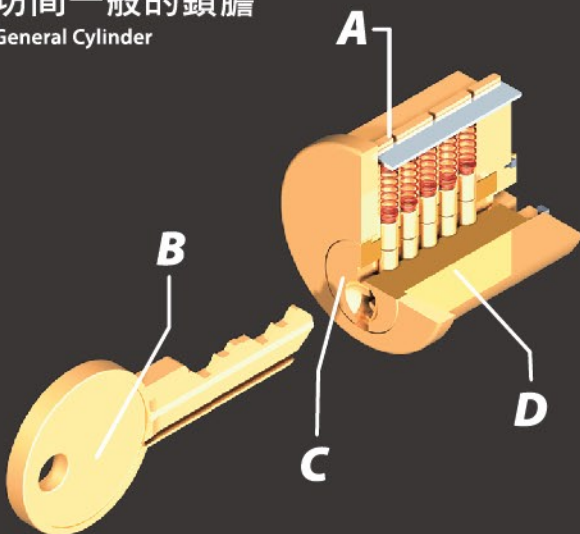
Medeco High-security Cylinder



1. 美迪高鎖具有超過130億種獨特的鎖珠組合。在商業應用中，龐大的鎖珠組合確保每位用家的鎖匙沒有跟其他人相同。
Medeco locks feature more than 13 billion unique keying combinations. In commercial applications, the extensive master key systems assure homeowners that no other house key is the same as their own.
2. 鎖膽的鋼材經過特別處理，防鑽、防鋸、防撬。
Medeco cylinders have hardened steel inserts strategically placed along the lock face and in the core that resist drilling, sawing, and prying.
3. 鎖匙有多個獨特的角度。這些角度與鎖的彈子珠對齊，鎖芯必須正確升高並旋轉，才能解開鎖芯。
Medeco keys come with unique and multiple angles. These angles align with the lock's tumbler pins, which must elevate correctly and rotate before the lock cylinder will operate.
4. 第3重鎖定系統稱為「側桿」，讓門鎖只能於正確抬起、旋轉，及對準正確位置下才能解鎖，並防止撞擊。
The third locking mechanism, known as the Sidebar, can only operate when the pin tumblers are properly elevated, rotated, aligned in the correct position, and protects against bumping and picking.
5. 當鎖匙插入鎖膽時，鎖匙獨特的側面切口必須與鎖膽配合，才能解鎖。
Medeco keys milled with a side-cut that aligns with the unique slider mechanism as the key inserted into the cylinder. The Slider must be engaged with the proper key to allow the cylinder to operate.
6. 美迪高的專利密匙為電腦密碼角度鎖匙，只有獲美迪高授權的鎖匠及專屬配匙機才能製造。有效防止他人在沒有許可的情況下複製鎖匙。
Medeco's patented keys are unique and require special key cutting machines to precisely duplicate the right angles. These controls make it virtually impossible for others to duplicate a key without proper permission. And, only Medeco authorized locksmiths can duplicate Medeco keys.

坊間一般的鎖膽

General Cylinder



- A. 在有限的鎖珠組合下，鎖匙很容易與其他人相同。
With limited keying combinations, the key is easy to be the same with others.
- B. 可以在一般配匙商號複製鎖匙，無需任何證明。
A general key can copy at a million stores without restriction or proof of the ownership.
- C. 鎖膽容易被鑽及損毀。
General cylinders easily drilled or forced.
- D. 鎖匙插入鎖膽後，彈子珠於同一角度及時間被轉動，開鎖非常容易。設計不能防撬及易受攻擊。
After the key inserted into the cylinder, the key pins will be rotated and unlocked at the same angle and time. The steps to unlock the door are extremely easy. The design is not defensive at all.



鎖膽 M3 Cylinder

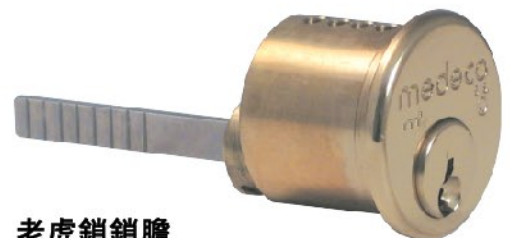
- 專利鎖匙控制**
 防止他人擅自複製你的鎖匙。
 Patented Key Control - Protects against unauthorized duplication of your keys.
- 免受物理攻擊**
 美迪高鎖膽已通過UL 437認證，可有效防鑽，防撬和其他形式的物理攻擊。
 Protection From Physical Attack - Medeco cylinders are UL 437 listed and stand up to drilling, prying and other forms of physical attack.
- 特殊角度切割鎖匙**
 美迪高的鎖匙需要由一台特殊的鎖匙切割機製造，在多種安全限制下支持各種需求。
 Special Angle Cut Keys - Requires a special key cutting machine and access to Medeco specific blanks, available in a variety of restrictions to support every need.



螺絲膽
Mortise Cylinder
MED-10T5100Z70BS



橫門鎖鎖膽
Deadbolt Cylinder
MED-10T65127F040BS



老虎鎖鎖膽
Rim Cylinder
MED-10T0300VY02BS



型號 Model:

顏色 Finish:

門厚 Door Thickness:

鎖中尺寸 Backset:

鎖體 Lockcase:

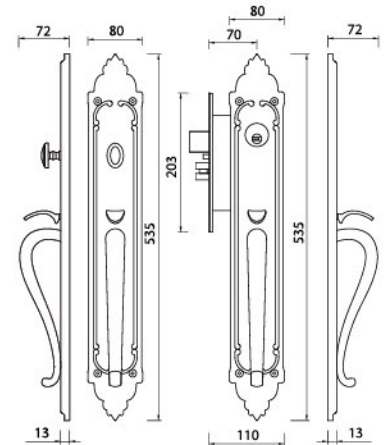
DBZ06

PVD 金色

48-51mm
(1-7/8" ~ 2")

70mm
(2-3/4")

美式
ANSI-AA



型號 Model:

顏色 Finish:

門厚 Door Thickness:

鎖中尺寸 Backset:

鎖體 Lockcase:

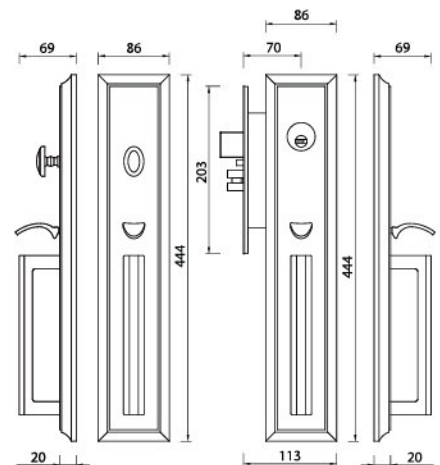
DL06

PVD 金色

48-51mm
(1-7/8" ~ 2")

70mm
(2-3/4")

美式
ANSI-AA



型號 Model:

顏色 Finish:

門厚 Door Thickness:

鎖中尺寸 Backset:

鎖體 Lockcase:

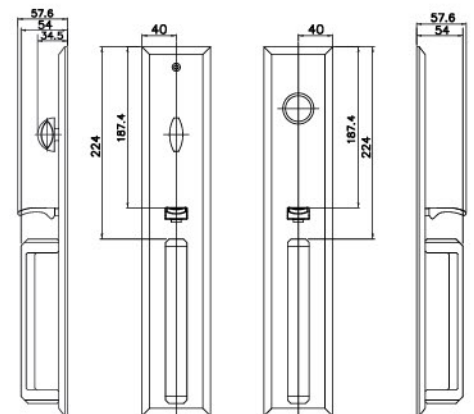
DMJ06

DBN 殞石黑鋼色

48-51mm
(1-7/8" ~ 2")

70mm
(2-3/4")

美式
ANSI-AA





型號 Model:

顏色 Finish:

門厚 Door Thickness:

鎖中尺寸 Backset:

鎖體 Lockcase:

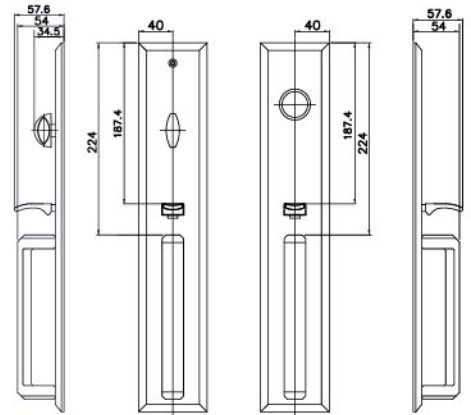
DMJ06

AAZ 仿紅古銅色

48-51mm
(1-7/8" ~ 2")

70mm
(2-3/4")

美式
ANSI-AA



型號 Model:

顏色 Finish:

門厚 Door Thickness:

鎖中尺寸 Backset:

鎖體 Lockcase:

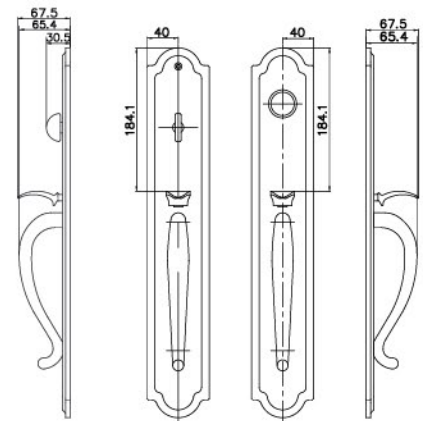
DMK06

PVD 金色

48-51mm
(1-7/8" ~ 2")

70mm
(2-3/4")

美式
ANSI-AA



-產品線圖以毫米為準。

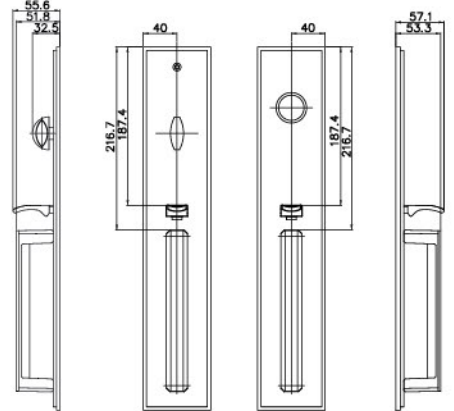
Line images are in millimeters (mm).

-以上套裝鎖均有左邊和右邊可供選擇。另外，若對產品有進一步疑問，請向店員查詢。

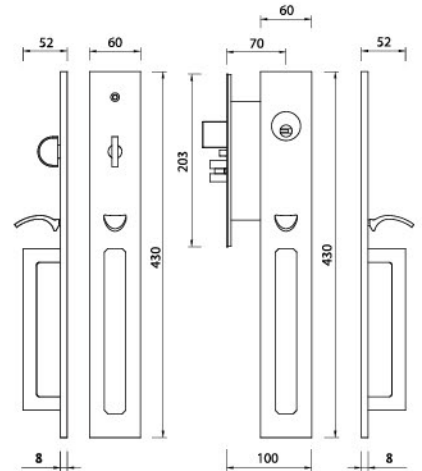
Left door lock set and right door lock set are available. If you want to know more about the product, please contact our staff.



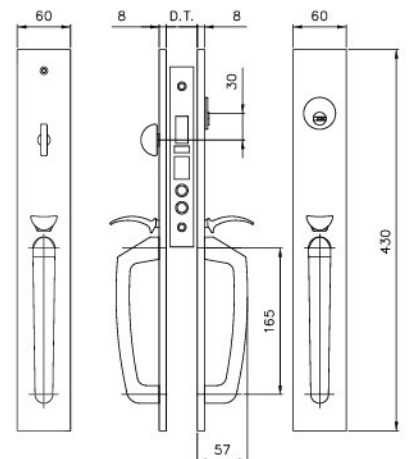
型號 Model: **DMN06**
 顏色 Finish: ABN 仿古黑銀色
 門厚 Door Thickness: 48-51mm (1-7/8" ~ 2")
 鎖中尺寸 Backset: 70mm (2-3/4")
 鎖體 Lockcase: 美式 ANSI-AA



型號 Model: **DN06**
 顏色 Finish: PVD 金色
 門厚 Door Thickness: 48-51mm (1-7/8" ~ 2")
 鎖中尺寸 Backset: 70mm (2-3/4")
 鎖體 Lockcase: 美式 ANSI-AA



型號 Model: **DNQ06**
 顏色 Finish: DAB 啞光青銅色
 門厚 Door Thickness: 48-51mm (1-7/8" ~ 2")
 鎖中尺寸 Backset: 70mm (2-3/4")
 鎖體 Lockcase: 美式 ANSI-AA





型號 Model:

顏色 Finish:

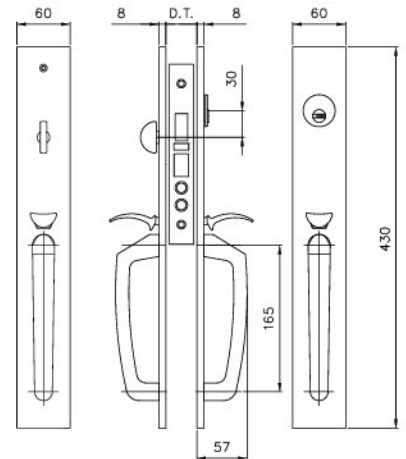
門厚 Door Thickness: 48-51mm
(1-7/8" ~ 2")

鎖中尺寸 Backset: 70mm
(2-3/4")

鎖體 Lockcase: 美式
ANSI-AA



DNQ06



型號 Model:

顏色 Finish:

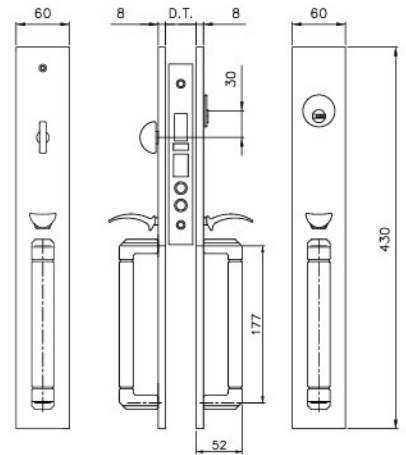
門厚 Door Thickness: 48-51mm
(1-7/8" ~ 2")

鎖中尺寸 Backset: 70mm
(2-3/4")

鎖體 Lockcase: 美式
ANSI-AA



DNU06



-產品線圖以毫米為準。

Line images are in millimeters (mm).

-以上套裝鎖均有左邊和右邊可供選擇。另外，若對產品有進一步疑問，請向店員查詢。

Left door lock set and right door lock set are available. If you want to know more about the product, please contact our staff.



型號 Model:

顏色 Finish:

門厚 Door Thickness:

鎖中尺寸 Backset:

鎖體 Lockcase:

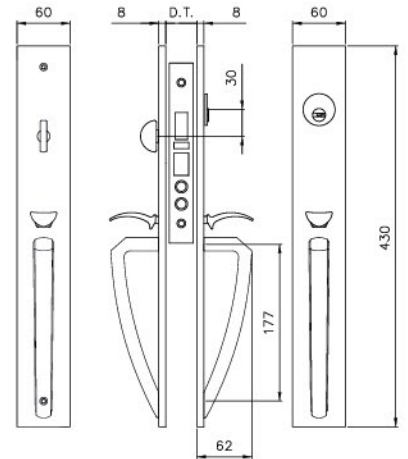
DNW06

SS 殞石銀鋼色

48-51mm
(1-7/8" ~ 2")

70mm
(2-3/4")

美式
ANSI-AA



型號 Model:

顏色 Finish:

門厚 Door Thickness:

鎖中尺寸 Backset:

鎖體 Lockcase:

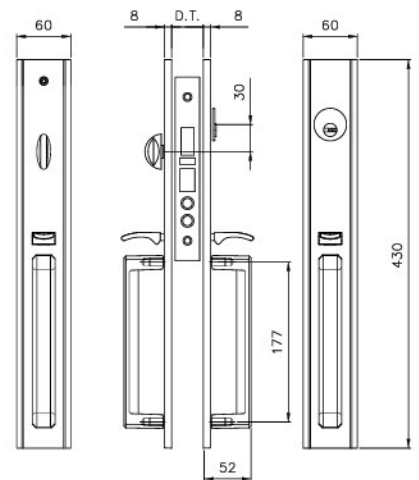
DSF06

SS 殞石銀鋼色

48-51mm
(1-7/8" ~ 2")

70mm
(2-3/4")

美式
ANSI-AA





型號 Model:

顏色 Finish:

門厚 Door Thickness:

鎖中尺寸 Backset:

鎖體 Lockcase:

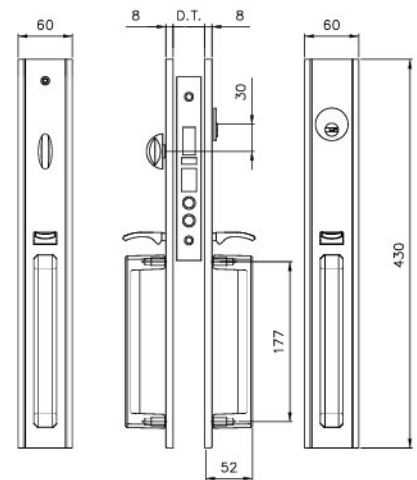
DSF06

DAZ 啞光古銅色

48-51mm
(1-7/8" ~ 2")

70mm
(2-3/4")

美式
ANSI-AA



型號 Model:

顏色 Finish:

門厚 Door Thickness:

鎖中尺寸 Backset:

鎖體 Lockcase:

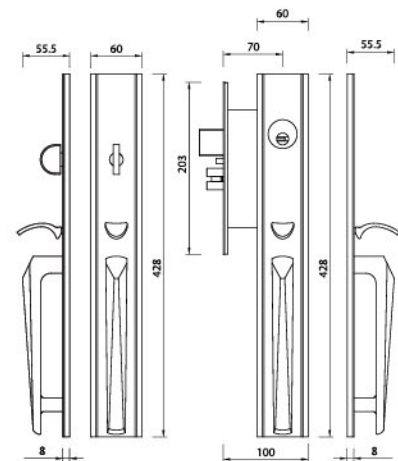
DSY06

DSN 白古銅色

48-51mm
(1-7/8" ~ 2")

70mm
(2-3/4")

美式
ANSI-AA



-產品線圖以毫米為準。

Line images are in millimeters (mm).

-以上套裝鎖均有左邊和右邊可供選擇。另外，若對產品有進一步疑問，請向店員查詢。

Left door lock set and right door lock set are available. If you want to know more about the product, please contact our staff.



型號 Model:

顏色 Finish:

門厚 Door Thickness:

鎖中尺寸 Backset:

鎖體 Lockcase:



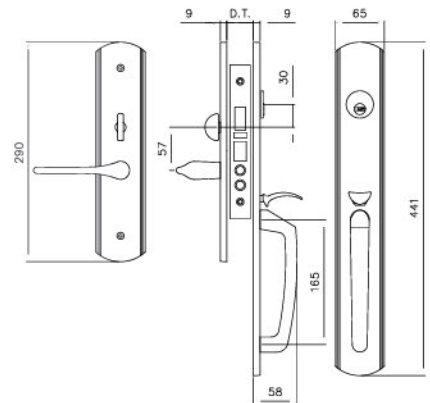
DUQ04

DBN 殞石黑鋼色

48-51mm
(1-7/8" ~ 2")

70mm
(2-3/4")

美式
ANSI-AA



型號 Model:

顏色 Finish:

門厚 Door Thickness:

鎖中尺寸 Backset:

鎖體 Lockcase:



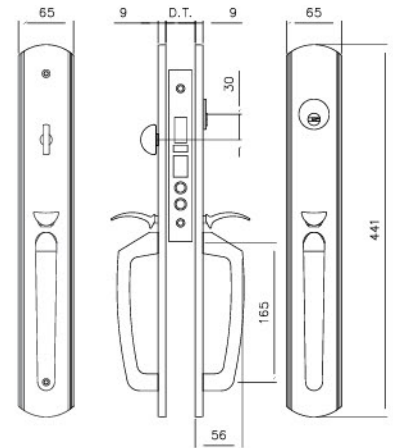
DUQ06

DBN 殞石黑鋼色

48-51mm
(1-7/8" ~ 2")

70mm
(2-3/4")

美式
ANSI-AA





型號 Model:

顏色 Finish:

門厚 Door Thickness: 48-51mm
(1-7/8" ~ 2")

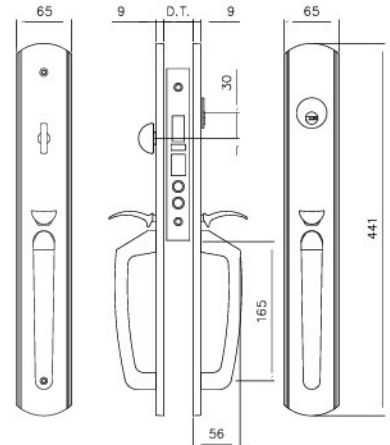
鎖中尺寸 Backset: 70mm
(2-3/4")

鎖體 Lockcase: 美式
ANSI-AA



DUQ06

DBR 啞光深棕色



型號 Model:

顏色 Finish:

門厚 Door Thickness: 48-51mm
(1-7/8" ~ 2")

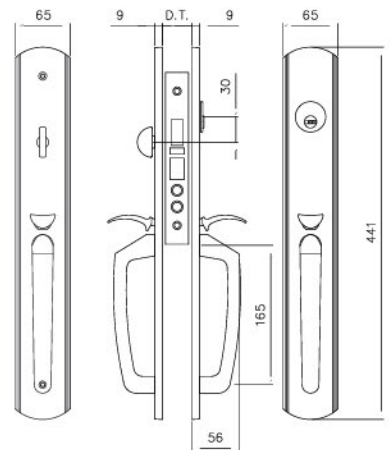
鎖中尺寸 Backset: 70mm
(2-3/4")

鎖體 Lockcase: 美式
ANSI-AA



DUQ06

PVD 金色



-產品線圖以毫米為準。

Line images are in millimeters (mm).

-以上套裝鎖均有左邊和右邊可供選擇。另外，若對產品有進一步疑問，請向店員查詢。

Left door lock set and right door lock set are available. If you want to know more about the product, please contact our staff.

橫門鎖 Maxum Deadbolt

附加鎖
Auxiliary lock



防撞



防鋸



防鑽



授權複製鎖匙

美迪高 Maxum 單膽橫門鎖採用硬化鋼材，提供符合UL437標準的防鑽和防撬性能，以確保鎖具的安全性。

The Medeco® Maxum deadbolt uses hardened steel inserts and rotating pins to provide drill and pry resistance UL437 standard for safety for key locks.



單膽橫門鎖 Maxum Deadbolt - Single Medeco Maxum D/B 2-3/4" m3

型號 Model: **MED-11TC602SS / MED-11TC602BS /**
顏色 Finish: **MED-11TC602BK**

SS 鋼色 / BS 金色 / BK 黑色



雙膽橫門鎖 Maxum Deadbolt - Double Medeco Maxum D/B 2-3/4" m3

型號 Model: **MED-11TR632SS / MED-11TR632PBS**
顏色 Finish: SS 鋼色 / PVD 金色





掛鎖 Protector II Padlock



專利鎖匙及鎖膽



優質不銹鋼製成



防鑽



防鋸



防撬



戶外

美迪高 The Protector II 系列掛鎖由耐用的工業級不銹鋼製成，m3鎖膽及鎖匙均獲得專利。防鑽、防鋸、防撬，並能有效抵抗惡劣天氣及極端環境。

The Medeco® The Protector II Series padlock is made of durable, industrial-grade stainless steel. The patented Medeco mechanical cylinder resists drilling, sawing, prying, and other sophisticated forms of physical attack. It also offers excellent resistance to harsh weather and extreme conditions.



中掛鎖 Medium Body Style Padlock Medeco Protector II 5/16"

型號 Model:	MED-50047341
顏色 Finish:	SS 鋼色
鈎環直徑 Shackle diameter:	5/16"
洞高 Shackle length:	1-3/8"



大掛鎖 Large Body Style Padlock Medeco Protector II 7/16"

型號 Model:	MED-50048341
顏色 Finish:	SS 鋼色
鈎環直徑 Shackle diameter:	5/16"
洞高 Shackle length:	1-7/8"



medeco[®]
HIGH SECURITY CYLINDER MADE IN USA

香港及澳門獨家總代理
Exclusive Distributor for Hong Kong and Macau



HOME
SOLUTION
EXPERT

 (852) 2765 9667
eshop.plc.com.hk

